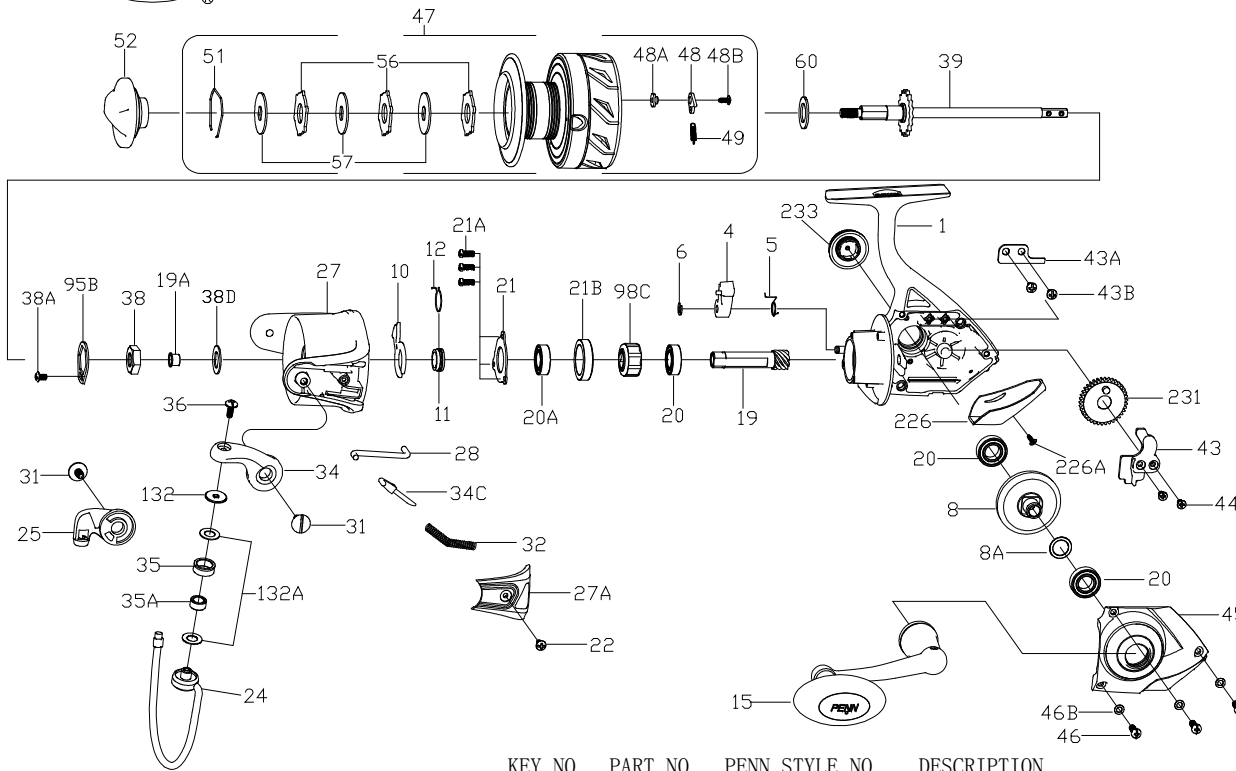




PARTS LIST FOR MODEL FRCIII6000



407-FRCIII6000 Rev. 0 19-2-2019

1505224

KEY NO.	PART NO.	PENN STYLE NO.	DESCRIPTION
1	1514322	1-FRCIII6000	Housing Assembly
4	1190937	4-5000SG	Dog
5	1190966	5-5000SG	Dog Spring
6	1190979	6-5000SG	Retaining Clip
8	1191019	8-5000SG	Main Gear
8A	1191030	8A-5000SG	Shim
10	1191066	10-5000SG	A/R Holder
11	1191085	11-5000SG	Bushing
12	1313865	12-CFT8000	A/R Bushing Spring
15	1514321	15-FRCIII5000	Handle Assembly
19	1364030	19-BTLII5000	Pinion Gear
19A	1191253	19A-5000SG	Pinion Bushing
20	1204012	20-5000PUR	Ball Bearing (3 req)
20A	1308090	20-CFT5000	Upper Pinion Ball Bearing
21	1192636	21-5000SG	Bearing Retainer

KEY NO.	PART NO.	PENN STYLE NO.	DESCRIPTION
21A	1192645	21A-5000SG	Bearing Retainer Screw (3 req)
21B	1324209	21B-BTLII5000	Collar
22	1204018	22-6000PUR	Bail Pivot Cover Screw
24	1365746	24-FRCII6000	Bail Wire
25	1308093	25-CFT5000	Bail Holder
27	1365747	27-FRCII6000	Rotor
27A	1365748	27A-FRCII6000	Bail Pivot Cover
28	1365749	28-FRCII6000	Trip Lever
31	1365740	31-FRCII5000	Bail Arm Screw (2 req)
32	1200520	32-6000SG	Bail Spring
34	1308103	34-CFT6000	Bail Arm
34C	1191652	34C-5000SG	Pivot Arm
35	1308066	35-CFT3000	Line Roller
35A	1308067	35A-CFT3000	Line Roller Bushing
36	1191699	36-3000SG	Bail Stud Screw
38	1191729	38-5000SG	Rotor Nut
38A	1365741	38A-FRCII5000	Screw
38D	1308104	38D-CFT5000	Rotor Nut Washer
39	1488472	39-PURIII6000	Main Shaft Assembly
43	1308107	43-CFT5000	Crosswind Block
43A	1191820	43A-5000SG	Crosswind Block Plate
43B	1191736	38A-5000SG	Crosswind Block Plate Screw(2 req)
44	1191845	44-5000SG	Crosswind Block Screw (2 req)
45	1514576	45-FRCIII6000	Housing Cover Assy
46	1191903	46-5000SG	Housing Cover Screw (3 req)
46B	1191908	46B-5000SG	Housing Cover Washer (3 req)
47	1514323	47-FRCIII6000	Spool Assembly
48	1211625	48-5000SG	Click Tongue
48A	1211626	48A-5000SG	Click Tongue Washer
48B	1192658	22-2000SG	Bail Pivot Cover Screw
49	1211627	49-5000SG	Click Tongue Spring
51	1308112	51-CFT5000	Drag Retaining Ring
52	1514319	52-FRCIII5000	Drag Knob Assembly
56	1308114	56-CFT5000	Drag Washer (3 req)
57	1192044	57-5000SG	Keyed Washer (3 req)
60	1211629	60-5000BTL	Thrust Washer
95B	1308115	95B-CFT5000	Rotor Locking Plate
98C	1308116	98C-CFT5000	Clutch/Sleeve Assembly
132	1192297	132-5000SG	Roller Washer
132A	1192302	132A-3000SG	Line Roller Washer (2 req)
226	1308117	226-CFT5000	Rear Cover
226A	1192473	226A-3000SG	Rear Cover Screw
231	1200523	231-6000SG	Crosswind Gear
233	1514320	233-FRCIII5000	Bearing Cover Assy